

LANDSCAPING

PRECAST CONCRETE PRODUCTS



EDS CONCRETE
PRODUCTS

WE KNOW CONCRETE



With over 40 years of experience under our belt, we fabricate concrete products using the best of both traditional and today's leading edge technology. All of our products are designed and manufactured to meet or exceed requirements of CSA23.4 and ASTM C1364. From first contact to product delivery, our motivated team of professionals is dedicated to providing you with an excellent product and attentive customer service, on schedule and within budget.



Why choose precast concrete over natural stone?

- Realistic shapes with colour effects that look remarkably like natural stone
- Significant cost savings over natural stone
- Stackable and easy to install
- Incremental size options and more consistent measurements with preselected shapes and lengths
- Hollow products are less than half the weight of natural stone

COLOURS

These swatches indicate general colour and finish only. A natural variance in colour and finish is to be expected. Colour may vary from piece to piece.



SUNSET BUFF



GRANITE



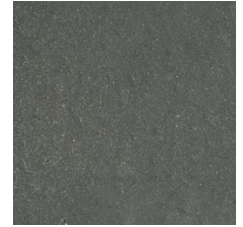
EBONY



WHITE



SUNSET BUFF



EBONY

CARE AND HANDLING

Although concrete is an extremely hard and durable material, it can be damaged if treated improperly. Never use salt or chemicals on your step, as that will void your warranty and may harm the step. If you choose to use salt on your steps we recommend applying a protective sealant. Please use proper judgement when handling and storing concrete products.



CHISEL STONE

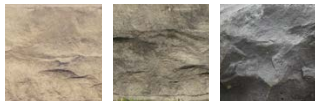
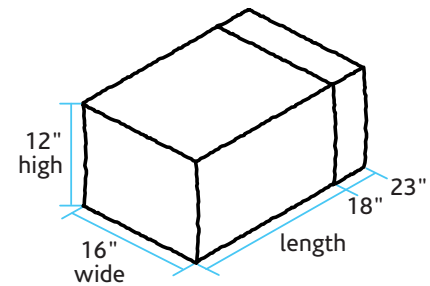
Less than half the weight of natural stone
Preselected shapes and lengths for ease of installation
Stackable and easy to handle

SIZE | 12" high x 16" wide x length
Length of stone ranges from 18" to 23". This variation in length adds to the authenticity of the look of natural stone.

WEIGHT | 100 lbs to 150 lbs per piece depending on length | **HOLLOW**

PACKAGING | Stones are 8 pieces per skid and include a minimum of 4 variations.

COLOURS | Sunset Buff, Granite, Ebony



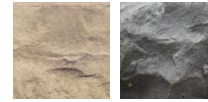


WEATHER AGED STONE

Distinctive design and versatility – ideal for straight or set back walls.



SIZE | 28" long x 19 - 21" wide x 8" tall
WEIGHT | 348 - 428 lbs per piece | **SOLID**
PACKAGING | 6 pieces per skid
COLOURS | Sunset Buff, Ebony

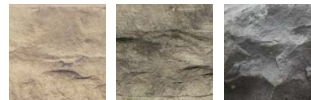


FLOWERBED EDGE STONE

Easy to handle, natural looking edge around gardens



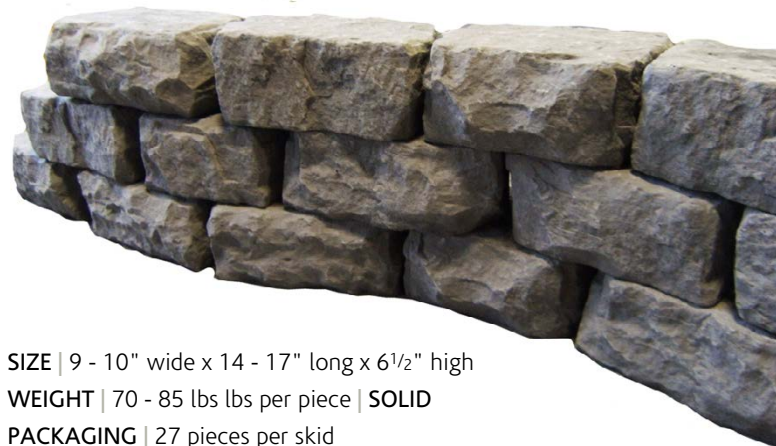
SIZE | 12" long x 6" wide x 4 1/4" high
WEIGHT | 21 lbs per piece | **SOLID**
PACKAGING | 75 pieces per skid
COLOURS | Sunset Buff, Granite, Ebony





GARDEN WALL STONE

Perfect for low garden walls, patio borders and garden edging.



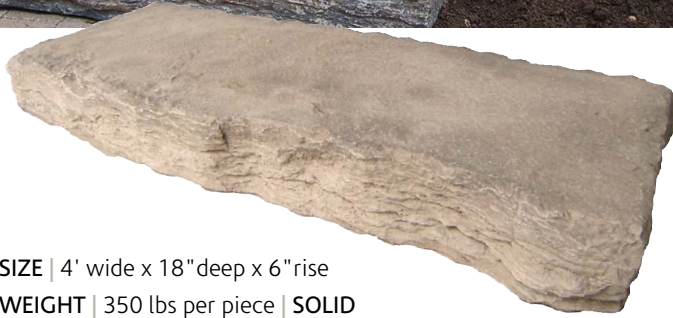
SIZE | 9 - 10" wide x 14 - 17" long x 6 1/2" high
WEIGHT | 70 - 85 lbs lbs per piece | **SOLID**
PACKAGING | 27 pieces per skid
COLOURS | Sunset Buff, Granite, Ebony



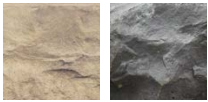


COUNTRY STONE STEPS

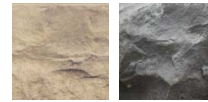
A natural looking weather face step
available in 4' and 5' widths.



SIZE | 4' wide x 18" deep x 6" rise
WEIGHT | 350 lbs per piece | **SOLID**
PACKAGING | 6 pieces per skid
COLOURS | Sunset Buff, Ebony



SIZE | 5' wide x 18" deep x 7" rise
WEIGHT | 485 lbs per piece | **SOLID**
PACKAGING | 4 pieces per skid
COLOURS | Sunset Buff, Ebony



RANDOM STEP

A unique, natural looking slab that can be used
as steps or slabs in your landscaping project.



SIZE | 40" wide x 30" deep x 5 1/2" rise
WEIGHT | 420 lbs per piece | **SOLID**
PACKAGING | 3 pieces per skid
COLOURS | Sunset Buff, Ebony





CANYON STEPS

A stacking step that is closed on all sides, perfect for inclines, hills and banks. And it's hollow, making installation even easier.

STEPS

3' x 15½" x 7"	190 lbs	6 pieces per skid
4' x 15½" x 7"	240 lbs	6 pieces per skid
5' x 15½" x 7"	290 lbs	6 pieces per skid
6' x 15½" x 7"	340 lbs	6 pieces per skid

SPACER UNITS

4½" x 13½" x 7"	40 lbs	20 pieces per skid
4½" x 27" x 7"	75 lbs	10 pieces per skid

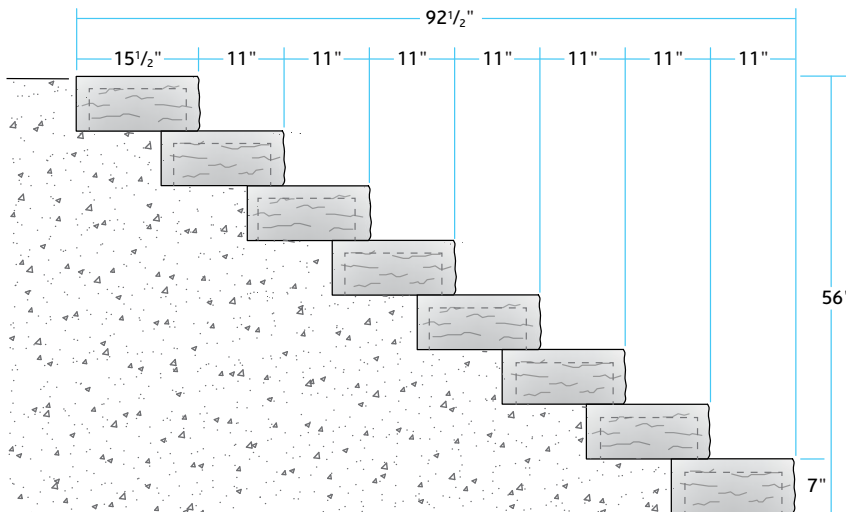
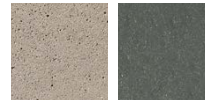
WIDTHS | 3', 4', 5' and 6', widths

HOLLOW | closed on all sides

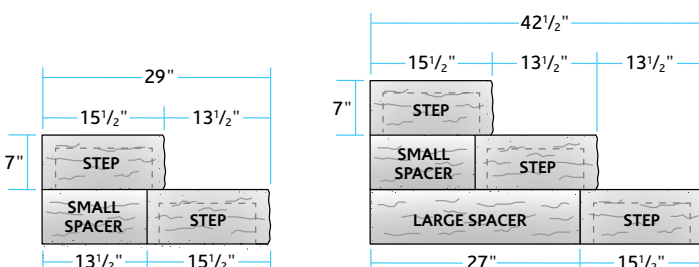
RISE | Standard rise is 7"

STACKABLE | Up to 3 steps high with spacer units. Stacking height is unlimited when built into an inclined landscape.

COLOURS | Sunset Buff, Ebony



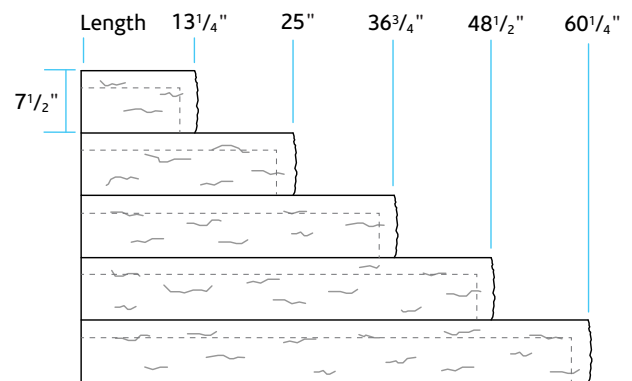
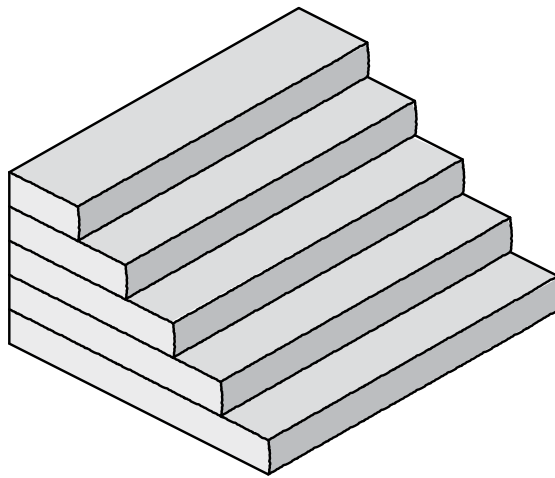
Create 2 and 3 step sets with spacer units.





CHISEL STEPS

Significant cost savings over natural stone
 Incremental size options
 Consistent measurements



WIDTHS | Available in 4', 5', 6' and 8', widths | **HOLLOW**

RISE | Standard rise is 7 1/2". A 6" height rise is available by special order.

4' width 1-5 risers	Weight lbs/pc	5' width 1-4 risers	Weight lbs/pc	6' width 1-4 risers	Weight lbs/pc	8' width 1-2 risers	Weight lbs/pc
4' x 13 1/4"	190	5' x 13 1/4"	250	6' x 13 1/4"	300	8' x 13 1/4"	410
4' x 25"	320	5' x 25"	365	6' x 25"	490	8' x 25"	660
4' x 36 3/4"	460	5' x 36 3/4"	550	6' x 36 3/4"	625		
4' x 48 1/2"	575	5' x 48 1/2"	665	6' x 48 1/2"	755		
4' x 60 1/4"	625						

COLOUR | Sunset Buff, Granite, Ebony

FINISH | Natural two-tone finish only



SUNSET BUFF



GRANITE

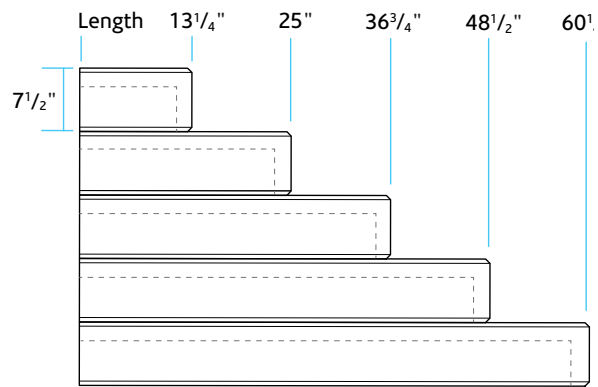
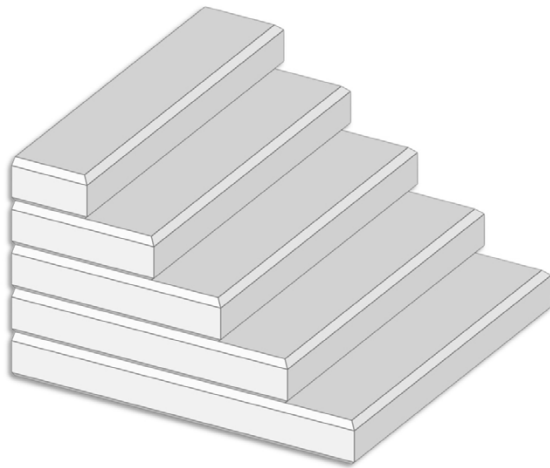


EBONY



LINEAR STEPS

Smooth step system for modern display
 Incremental size options
 Consistent measurements



WIDTHS | Available in 3', 4', 5' and 6', widths | **HOLLOW**

RISE | Standard rise is 7 1/2". A 6" height rise is available by special order.

3' width 1-4 risers	Weight lbs/piece	4' width 1-5 risers	Weight lbs/pc	5' width 1-4 risers	Weight lbs/pc	6' width 1-4 risers	Weight lbs/pc
3' x 13 1/4"	145	4' x 13 1/4"	190	5' x 13 1/4"	250	6' x 13 1/4"	300
3' x 25"	240	4' x 25"	320	5' x 25"	365	6' x 25"	490
3' x 36 3/4"	345	4' x 36 3/4"	460	5' x 36 3/4"	550	6' x 36 3/4"	625
3' x 48 1/2"	430	4' x 48 1/2"	575	5' x 48 1/2"	665	6' x 48 1/2"	755
		4' x 60 1/4"	625				

COLOUR | White, Sunset Buff, Ebony

FINISH | Smooth finish only



WHITE



SUNSET BUFF



EBONY



FIREPITS

S'mores! Hot dogs! Marshmallows! Elevate your backyard experience with a FIREPIT. Instantly create a fun-filled gathering space for all ages. Choose from three designs – classic to modern – and start making the most of your outdoor living space.

Simple to assemble
 Precast concrete is durable and long lasting
 Safe outdoor family fun

CHISEL FIREPIT

FINISHED SIZE | 11" high x 47" wide | 32" inside diameter

PACKAGING | Kit includes: 8 building stones, 4 trim stones.

A customized steel ring is also available.

WEIGHT | 500 lbs per kit | **SOLID**

FINISH | Natural two-tone finish only **COLOURS** | Sunset Buff, Granite, Ebony



SUNSET BUFF



GRANITE



EBONY





DIY KITS
...
complete
and simple to
assemble

LINEAR FIREPIT

FINISHED SIZE SQUARE | 12" high x 36.5" wide/long | 28" inside
PACKAGING | Kit includes: 8 building stones, 4 trim stones.
 A customized steel insert is available (recommended).
WEIGHT | 610 lbs per kit | **SOLID**
FINISH | Smooth finish only **COLOURS** | White, Sunset Buff, Ebony



WHITE



SUNSET BUFF



EBONY

GRAND FIREPIT

FINISHED SIZE | 14" high x 55" wide | 36" inside
PACKAGING | Kit includes: 6 building stones, 3 trim stones.
 A customized steel insert is available (recommended).
WEIGHT | 1350 lbs per kit | **SOLID**
FINISH | Smooth finish only **COLOURS** | White, Sunset Buff, Ebony

FIREPIT SCREENS

A metal screen on your firepit helps ensure that your surroundings are guarded from rogue embers and sparks.



ROUND | 38" diameter
 Fits Chisel and Grand
SQUARE | 31" x 31"
 Fits Linear
COLOUR & FINISH | Black
 metal mesh only





STRATFORD | Head Office
1266 Erie Street, Stratford
ON Canada N4Z 0A1
T 519-271-6590

NORWICH
773098 Oxford Road 59
Norwich ON Canada N0J 1P1
T 519-468-6979

TOLL FREE 1-877-265-6590
edsconcrete.com
f x @ p in