

# EXTERIOR

PRECAST CONCRETE PRODUCTS

STEPS & STAIRS  
PORCHES & RAILINGS  
SLABS & PADS  
CURBS & BARRIERS  
BUILDERS PRODUCTS

**EDS** CONCRETE  
PRODUCTS



# WE KNOW CONCRETE

With over 40 years of experience under our belt, we fabricate concrete products using the best of both traditional and today's leading edge technology. All of our products are designed and manufactured to meet or exceed requirements of CSA23.4 and ASTM C1364. From first contact to product delivery, our motivated team of professionals is dedicated to providing you with an excellent product and attentive customer service, on schedule and within budget.



**CARE AND HANDLING** Although concrete is an extremely hard and durable material, it can be damaged if treated improperly. Never use salt or chemicals on your step, as that will void your warranty and may harm the step. Please use proper judgement when handling and storing concrete products.

**INSTALLATION** ED'S CONCRETE PRODUCTS will install your step purchase if you live within our installation area. We will need access for our delivery truck and a level base.

<b>STEPS</b>   GETTING STARTED	3	<b>PORCHES</b>	12
<b>STEPS</b>   TRADITIONAL	4-5	<b>RAILINGS</b>	13
<b>STEPS</b>   ROUND & HEX	6	<b>SLABS, PADS, TRAYS &amp; BASES</b>	14
<b>STEPS</b>   STACKING	7	<b>WELL TILES, BASINS &amp; DECK BLOCKS</b>	15
<b>STEPS</b>   CHISEL	8	<b>CURBS &amp; BUMPERS</b>	16
<b>STEPS</b>   LINEAR	9	<b>BARRIERS</b>	17
<b>STEPS</b>   CANYON	10	<b>METER BLOCKS</b>	18
<b>STEPS</b>   BASEMENT	11	<b>WINDOW WELLS</b>	19

# GETTING STARTED | What type of steps are right for you?

Consider this information when deciding which steps you want to purchase.

**DESIGN** | Which designs appeal to your personal style and the style of your home? Consider shape, flow, colour, and texture.

**LOCATION** | Picture how the step design will look with your door and surrounding porch.

**BASE** | Is there a concrete pad or will there be gravel installed?

**BUDGET** | Which designs are within your price range?

**SPACE** | Some step designs take up more space than others. Eg. hexes and rounds (pages 6) take up more space at the base than other designs.

**PORCH** | Do you need, or would you benefit from, a porch as part of your new steps?



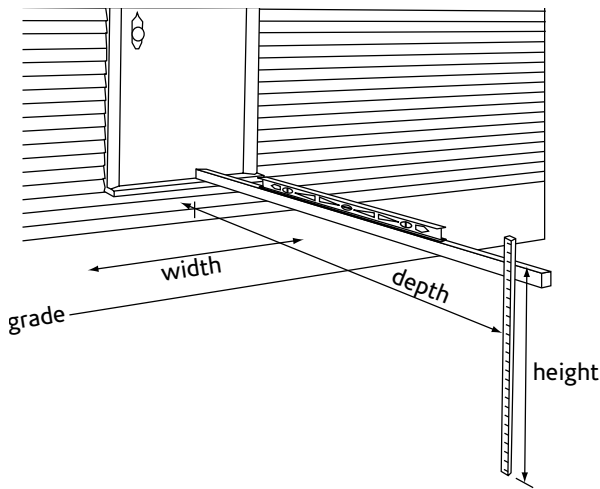
Traditional | PAGES 4-5



Chisel Precast | PAGE 8



Stacking | PAGE 6-7



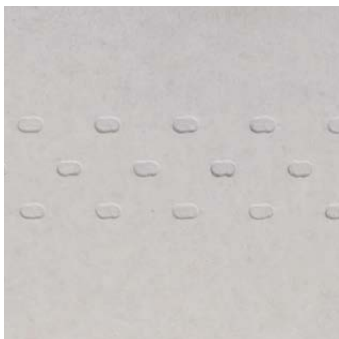
## Measuring your space

**HEIGHT** | Measure from the ground to the top of the door sill. The top of the step should be approximately 7 1/2" below the top of the door sill.

**DEPTH & WIDTH** | Make sure you have enough clearance for the depth and the width of the step(s).

## FINISHES

CHISEL & LINEAR STEPS | Finishes and colours on page 8-9.



STANDARD



BROOM



RANDOM STONE



TEXTURED SHALE  
Custom orders only

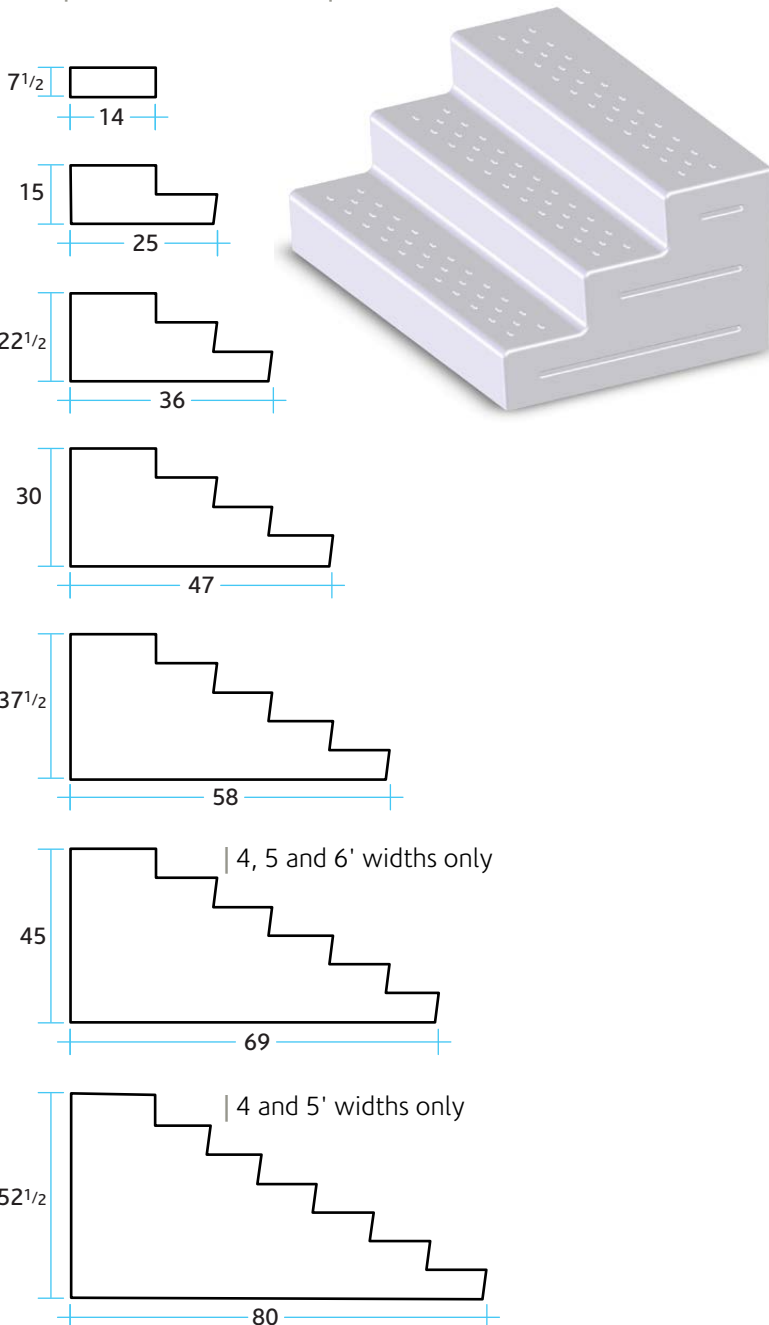


# STEPS TRADITIONAL

FINISHES Items on these two pages are available in standard finish only

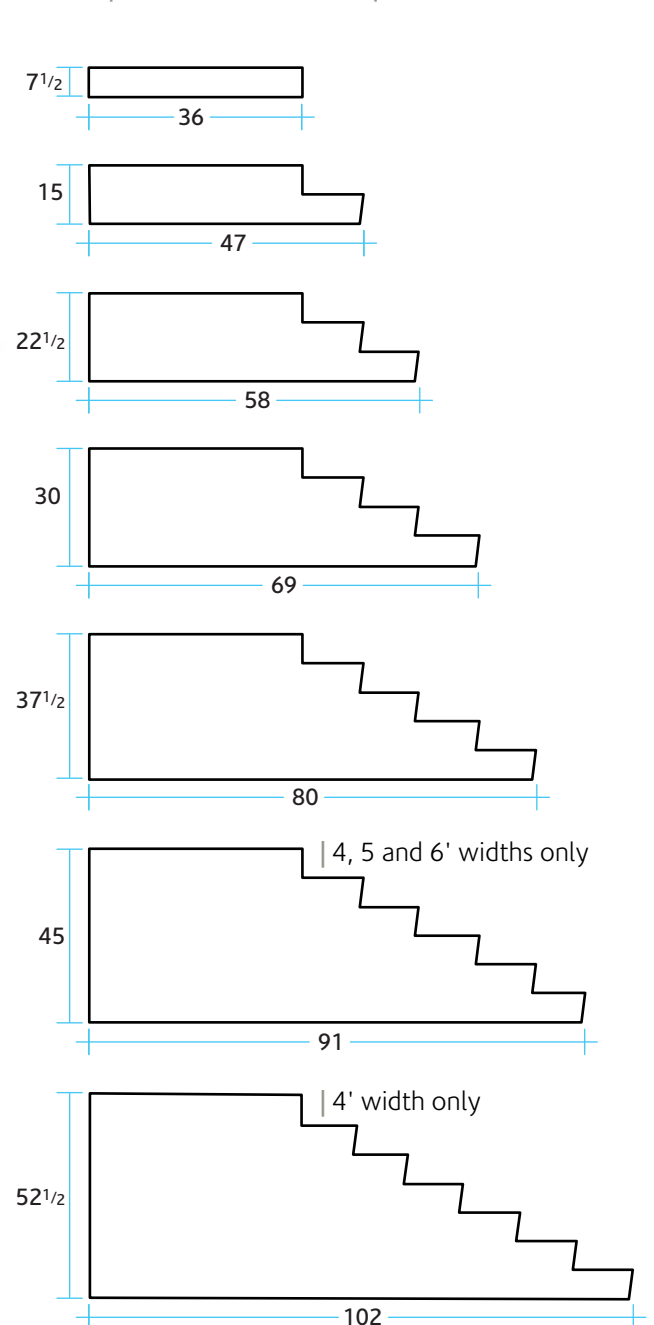
## STEPS ONLY

RISE | 1 to 7 risers WIDTHS | 3, 4, 5 and 6'



## STEPS WITH 36" PORCH

RISE | 1 to 7 risers WIDTHS | 3, 4, 5 and 6'





### STEPS WITH 48" PORCH

RISE | 1 to 7 risers WIDTHS | 4, 5 and 6'

### SIDE ENTRANCE STEPS WITH PORCH

PORCH | 48" WIDTH | 36" RISE | 2 to 4 risers

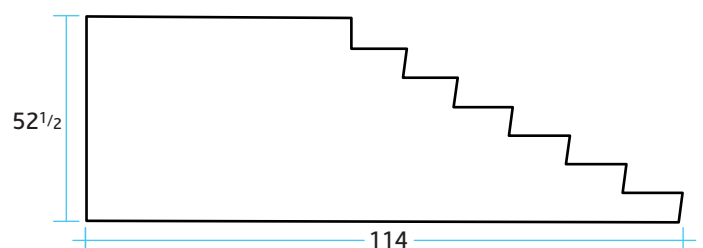
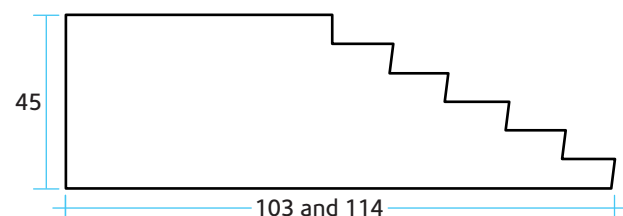
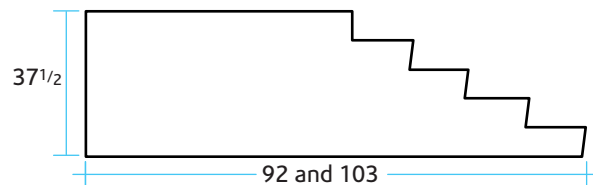
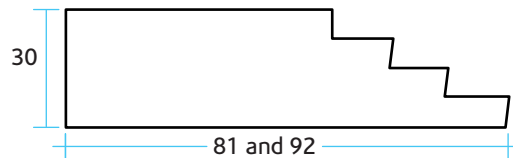
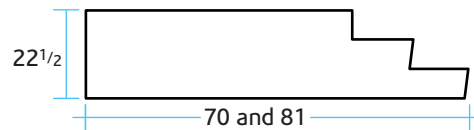
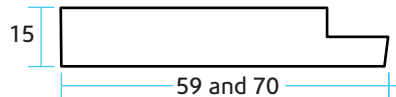
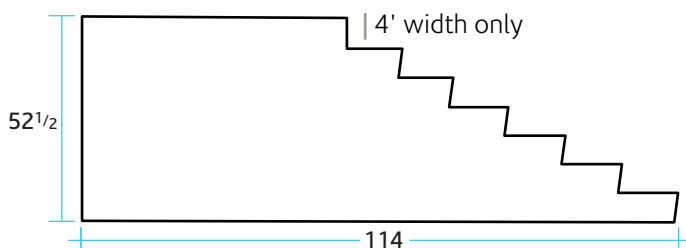
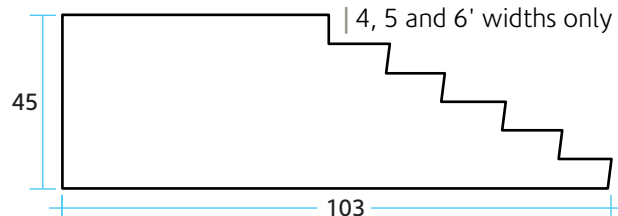
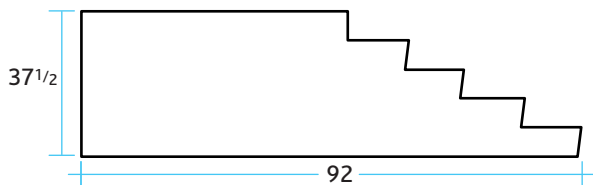
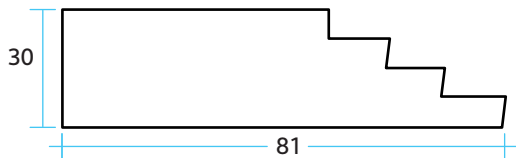
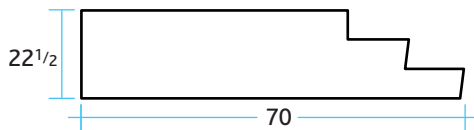
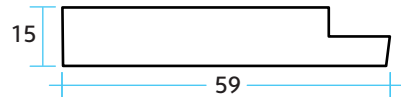
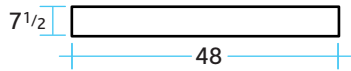
PORCH | 48" WIDTH | 48" RISE | 2 to 7 risers

PORCH | 48" WIDTH | 60" RISE | 2 to 7 risers

PORCH | 60" WIDTH | 48" RISE | 2 to 6 risers

PORCH | 72" WIDTH | 48" RISE | 1 to 4 risers

Note: Side Entrance Steps are closed on four sides



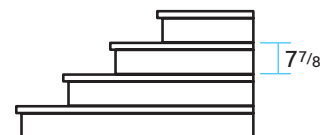
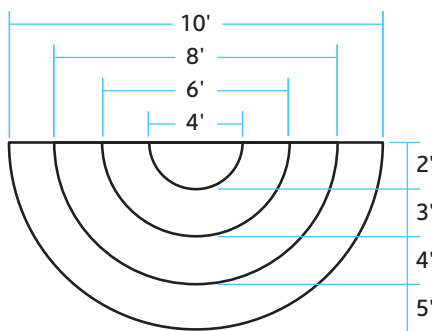
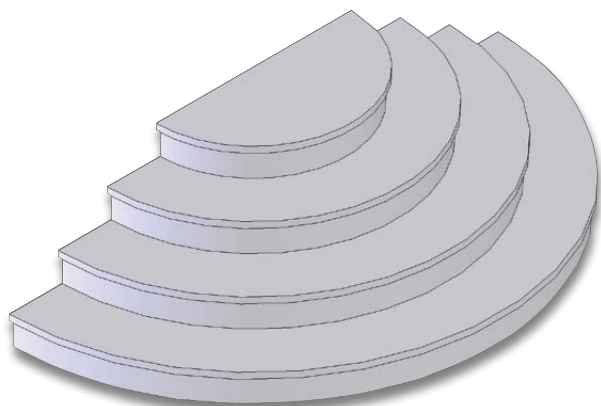


CUSTOM COLOUR



# STEPS ROUND

**WIDTHS** | 4, 6, 8 and 10' **RISE** | 1, 2, 3 and 4 steps  
**FINISHES** | Available in broom, random stone and textured shale\* finishes. See page 3 for samples.

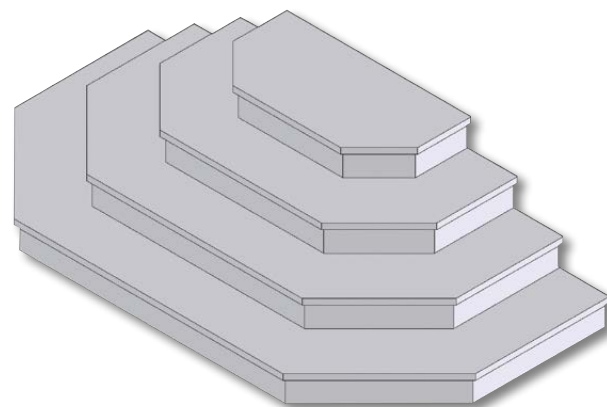
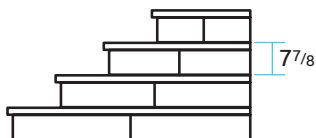
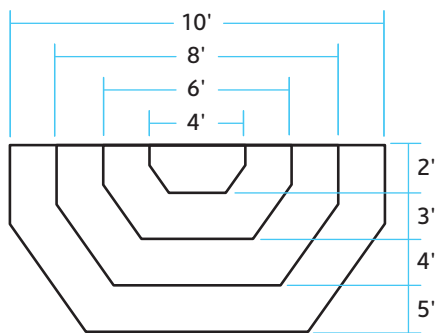


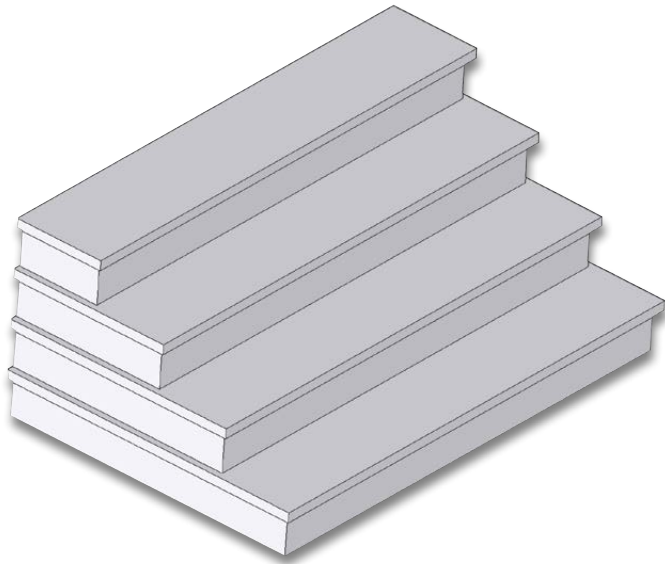
## CUSTOM COLOURS

Special orders only.  
 Please call for an estimate.

# STEPS HEX

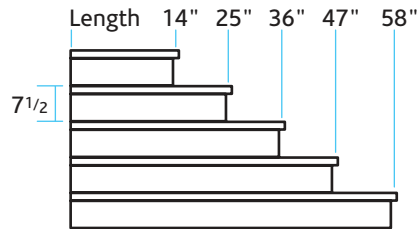
**WIDTHS** | 4, 6, 8 and 10' **RISE** | 1, 2, 3 and 4 steps  
**FINISHES** | Available in broom, random stone and textured shale\* finishes. See page 3 for samples.





# STEPS STACKING

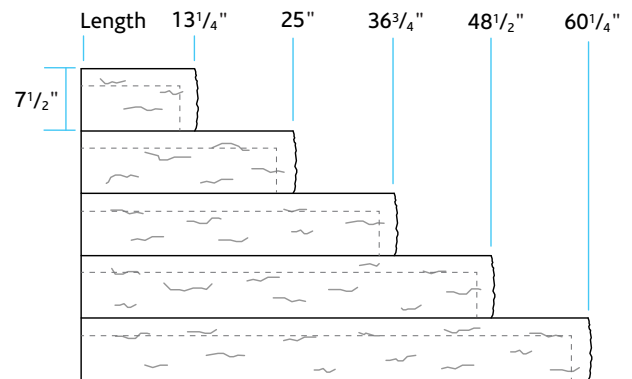
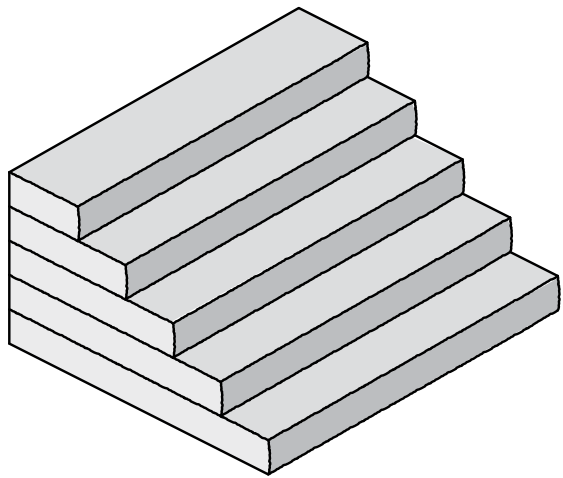
**WIDTHS** | 3, 4, 5, 6, 7, 8, 9 and 10' **RISE** | 1 to 5 risers  
**FINISHES** | Available in broom, random stone and textured shale\* finishes. See page 3 for samples.





# CHISEL STEPS

Significant cost savings over natural stone  
 Incremental size options  
 Consistent measurements



**WIDTHS** | Available in 4', 5', 6' and 8', widths | **HOLLOW**

**RISE** | Standard rise is 7 1/2". A 6" height rise is available by special order.

4' width 1-5 risers	Weight lbs/pc	5' width 1-4 risers	Weight lbs/pc	6' width 1-4 risers	Weight lbs/pc	8' width 1-2 risers	Weight lbs/pc
4' x 13 1/4"	190	5' x 13 1/4"	250	6' x 13 1/4"	300	8' x 13 1/4"	410
4' x 25"	320	5' x 25"	365	6' x 25"	490	8' x 25"	660
4' x 36 3/4"	460	5' x 36 3/4"	550	6' x 36 3/4"	625		
4' x 48 1/2"	575	5' x 48 1/2"	665	6' x 48 1/2"	755		
4' x 60 1/4"	625						

**COLOUR** | Sunset Buff, Granite, Ebony

**FINISH** | Natural two-tone finish only



SUNSET BUFF



GRANITE



EBONY

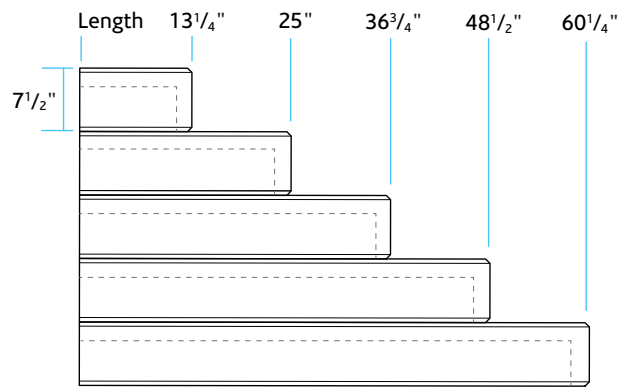
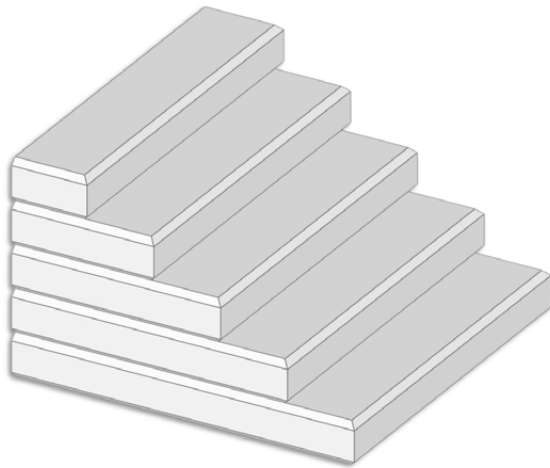




# LINEAR STEPS

Smooth step system for modern display  
 Incremental size options  
 Consistent measurements

pages 7-8 leave as is



**WIDTHS** | Available in 3', 4', 5' and 6', widths | **HOLLOW**

**RISE** | Standard rise is 7 1/2". A 6" height rise is available by special order.

3' width 1-4 risers	Weight lbs/piece	4' width 1-5 risers	Weight lbs/pc	5' width 1-4 risers	Weight lbs/pc	6' width 1-4 risers	Weight lbs/pc
3' x 13 1/4"	145	4' x 13 1/4"	190	5' x 13 1/4"	250	6' x 13 1/4"	300
3' x 25"	240	4' x 25"	320	5' x 25"	365	6' x 25"	490
3' x 36 3/4"	345	4' x 36 3/4"	460	5' x 36 3/4"	550	6' x 36 3/4"	625
3' x 48 1/2"	430	4' x 48 1/2"	575	5' x 48 1/2"	665	6' x 48 1/2"	755
		4' x 60 1/4"	625				

**COLOUR** | White, Sunset Buff, Ebony

**FINISH** | Smooth finish only



WHITE



SUNSET BUFF



EBONY



# CANYON STEPS

A stacking step that is closed on all sides, perfect for inclines, hills and banks. And it's hollow, making installation even easier.

## STEPS

3' x 15 1/2" x 7"	190 lbs	6 pieces per skid
4' x 15 1/2" x 7"	240 lbs	6 pieces per skid
5' x 15 1/2" x 7"	290 lbs	6 pieces per skid
6' x 15 1/2" x 7"	340 lbs	6 pieces per skid

**WIDTHS** | 3', 4', 5' and 6', widths

**HOLLOW** | closed on all sides

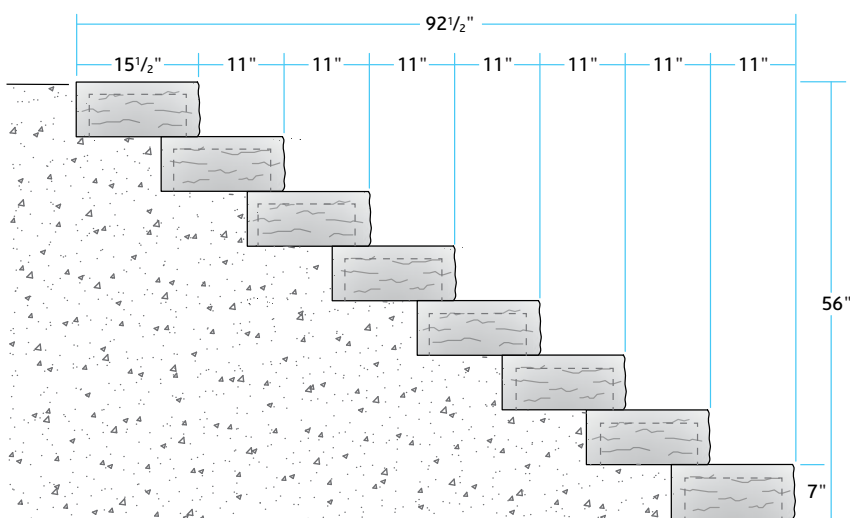
**RISE** | Standard rise is 7"

**STACKABLE** | Up to 3 steps high with spacer units. Stacking height is unlimited when built into an inclined landscape.

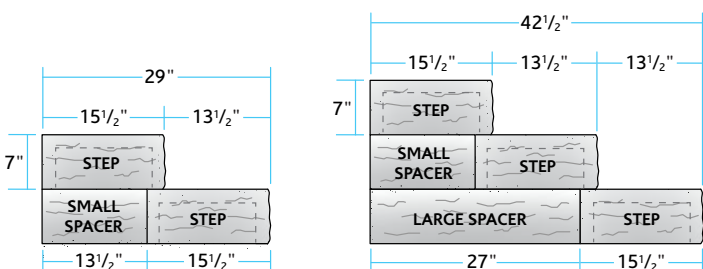
**COLOURS** | Sunset Buff, Ebony

## SPACER UNITS

4 1/2" x 13 1/2" x 7"	40 lbs	20 pieces per skid
4 1/2" x 27" x 7"	75 lbs	10 pieces per skid



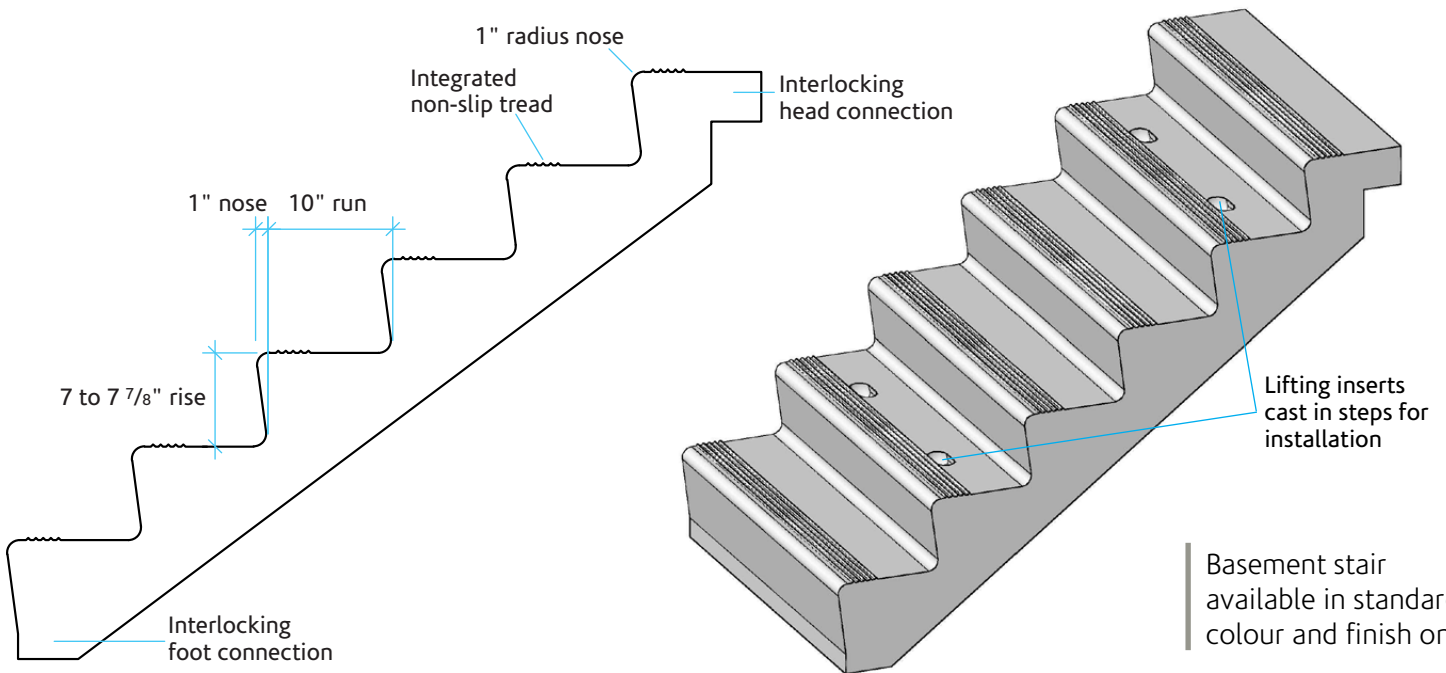
Create 2 and 3 step sets with spacer units.





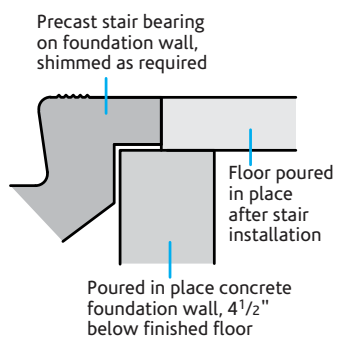
# STEPS BASEMENT

Solid reinforced precast stair designed for interior and exterior use. Ideal option for garage entry or exterior access. Self-locking design for ease of installation.

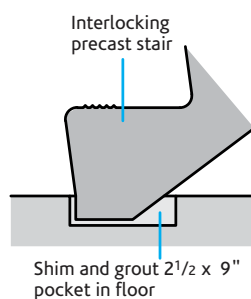


Basement stair available in standard colour and finish only.

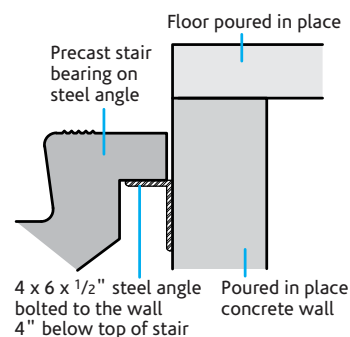
## CONNECTION A | TOP



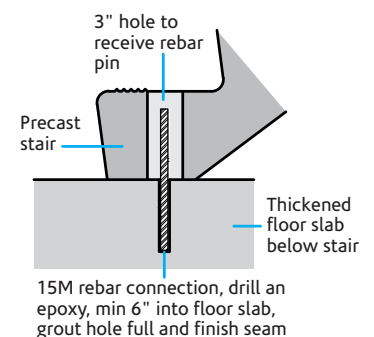
## CONNECTION A | BOTTOM



## CONNECTION B | TOP

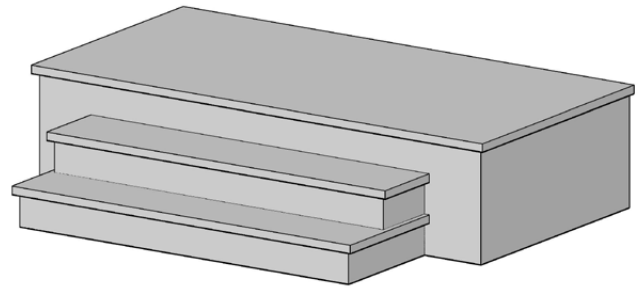
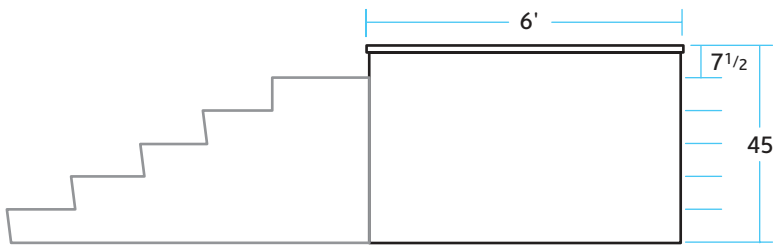


## CONNECTION B | BOTTOM





# PORCHES MODULAR |



**WIDTH** | 6' and 8'

**LENGTHS** | 3' min to 6' max

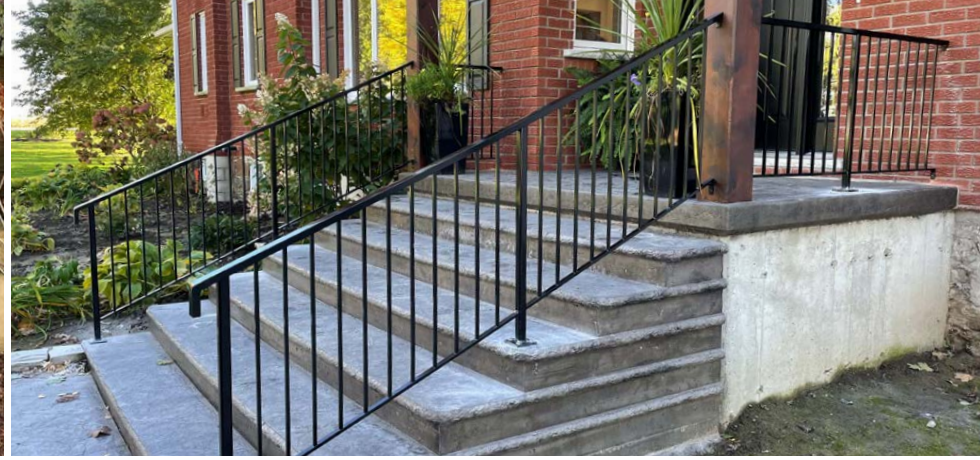
**RISE** | 7.5" increments

6' width up to a maximum of 4 risers / 30" height

8' width up to a maximum of 6 risers / 45" height

**FINISHES** | Available in broom, random stone and textured shale\* finishes. See page 3 for samples.





| STYLE 2

| STYLE 2

# RAILINGS

ED'S CONCRETE manufactures powdercoated, sleek railings that get installed by our trained professionals. Choose from two standard railing styles , steel, aluminum and a range of colours.

Railings are required when distance from the top of the porch or step to the grade is more than 24".

## Classic Design

- STYLE 1 | 1" posts with 1 1/2" top bar
- PICKETS | Straight or twisted
- MATERIAL | Available in steel or aluminum
- COLOURS | Black, brown, white, tan, cream

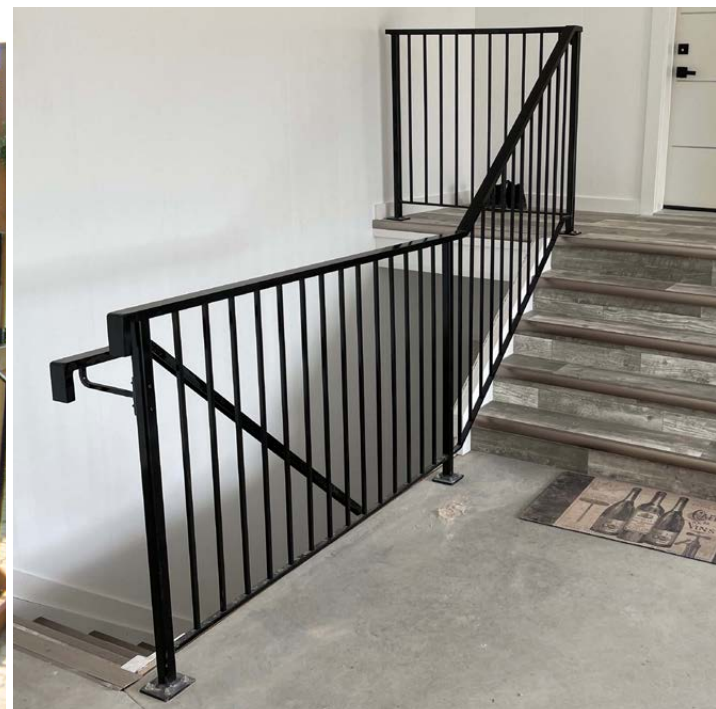
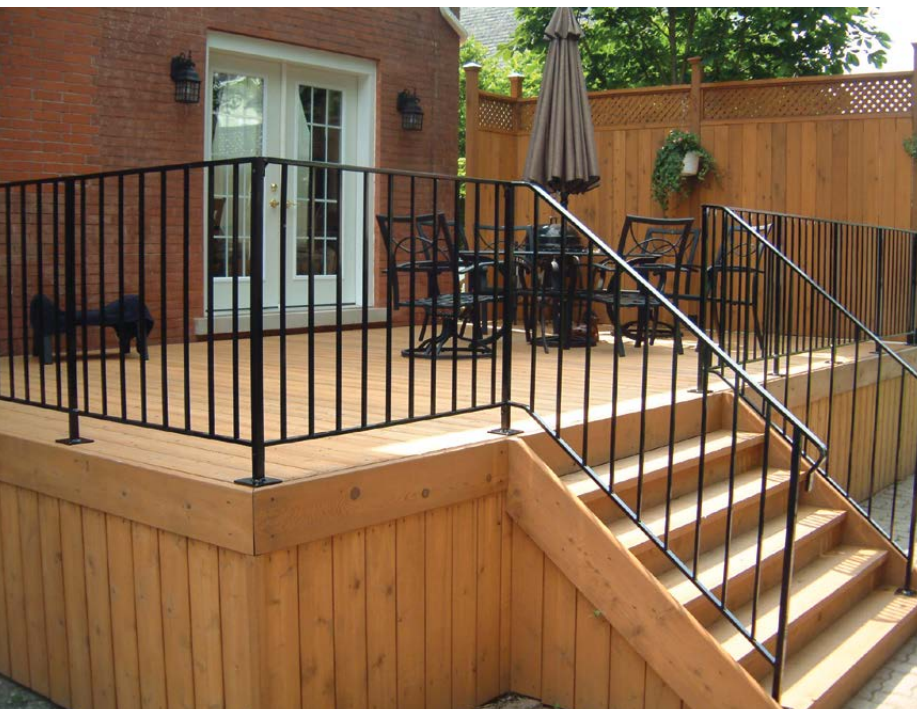
## Modern Design

- STYLE 2 | 1 1/2" post with 2" top bar
- PICKETS | Straight only
- MATERIAL | Available in aluminum only
- COLOURS | Black, brown, white, tan, cream



| STYLE 1

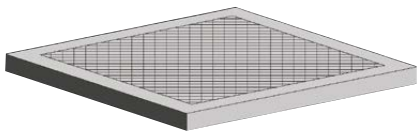
| STYLE 2





# SLABS & PADS

Measurements in inches



## SLABS | Square

Available in 9 sizes:

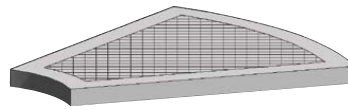
	W	L	H
WS8-16	8	16	1 1/2
WS12-12	12	12	1 1/2
WS12-24	12	24	1 1/2
WS12-30	12	30	1 1/2
WS15-24	15	24	1 1/2
WS18-18	18	18	1 1/2
WS15-30	15	30	1 1/2
WS24-24	24	24	1 1/2
WS24-30	24	30	1 1/2



## SLABS | Round

Available in 5 sizes:

	D	H
WS12R	12	1 1/2
WS18R	18	1 1/2
WS24R	24	1 1/2
WS30R	30	2
WS40R	40	2



## SLABS | Firepit

(8 pieces per circle)  
Available in 2 sizes:

	L	H
WS24P	24	1 1/2
WS30P	30	1 1/2

2nd and 3rd rings also available for 24" slabs only.

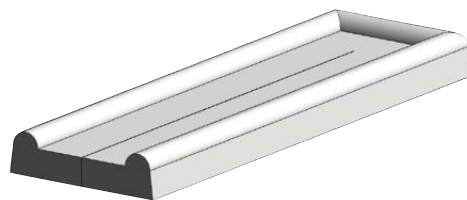


## Air Conditioner Pad |

Available in 5 sizes:

	W	L	H
WSACP24	24	36	2 1/2
WSACP30	30	30	2 1/2
WSACP3036	30	36	2 1/2
WSACP36	36	36	2 1/2
WSACP42	42	42	2 1/2

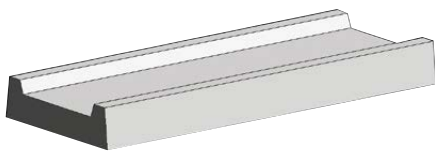
# TRAYS & BASES



## Splash TRAY |

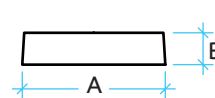
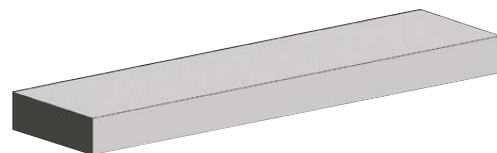
Available in 4 lengths:

	L	H
WSST18	18	3
WSST24	24	3
WSST30	30	3
WSST36	36	3



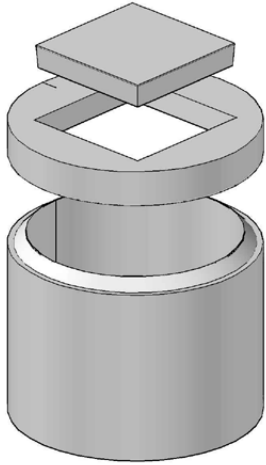
## Tank Base | Edged

	A	B	L
WSTB28	11	3	28
WSTB36	8 3/4	3 1/4	36
WSTB48	10 1/2	5	48



## Tank Base | Flat

	A	B	L
WSTB40F	10	3	40

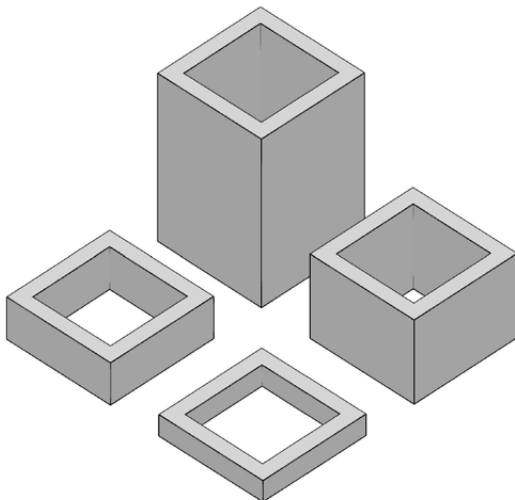
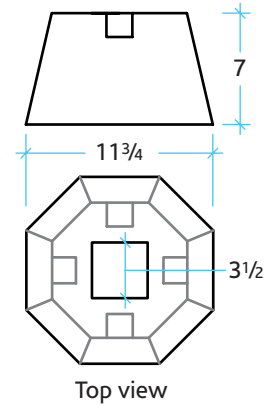
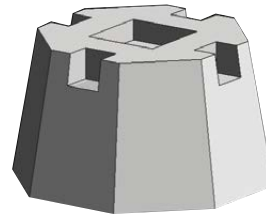


## WELL TILE

	Description	Diameter		Height	
		Outside	Inside		
WT36X15	36" Half Well Tile	36	30	15	
WT36X30	36" Full Well Tile	36	30	30	
WTT36	36" Well Tile Top	36	-	4	with 24" man hole
WT42X15	42" Half Well Tile	42	36	15	
WT42X30	42" Full Well Tile	42	36	30	
WTT42	42" Well Tile Top	42	-	4	with 24" man hole

## DECK BLOCK

WSDEC



## CATCH BASINS

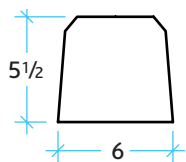
	Height	Diameter		
		Outside	Inside	
CBS6	6	32 x 32	24 x 24	no bottom
CBS12	12	32 x 32	24 x 24	no bottom
CBS18	18	32 x 32	24 x 24	no bottom
CBS24	24	32 x 32	24 x 24	with or without bottom
CBS48	48	32 x 32	24 x 24	with bottom



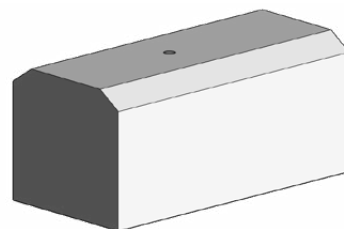
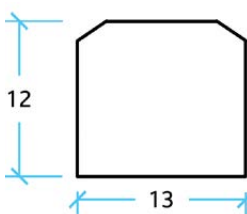
# CURBS & BUMPERS

All curbs and bumpers have two holes for pins

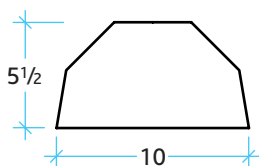
**Driveway** | Available in two lengths  
 WSDC6 Length 72" WSDC8 Length 96"



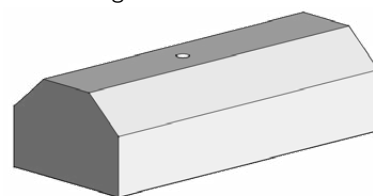
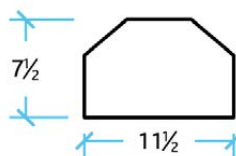
**Deluxe Curb** | WSBCD8 Length 96"



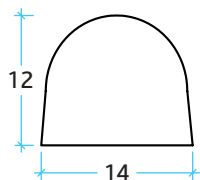
**Bumper** | Available in two lengths  
 WSBC6 Length 72" WSBC8 Length 96"



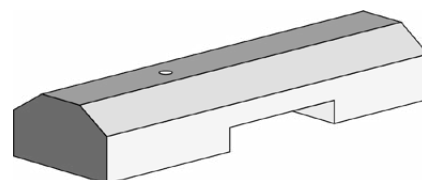
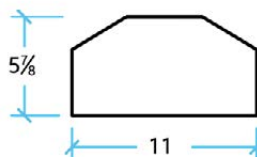
**Deluxe Bumper Curb** | Available in two lengths  
 WSBCD6 Length 72" WSBCDB8 Length 96"



**Heavy Duty** | WSHDBC6 Length 72"



**Bike Path Bumper** | WSBPB Length 78"

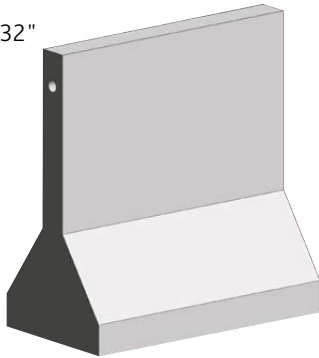
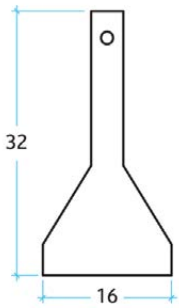




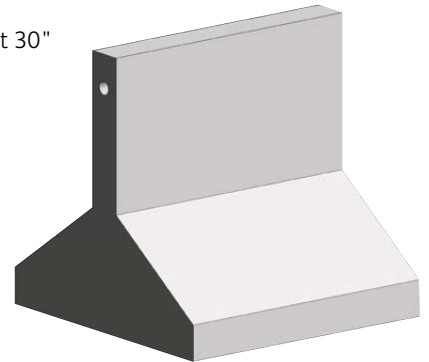
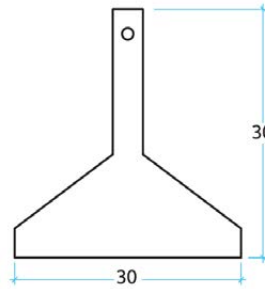


# BARRIERS | Strong temporary barriers

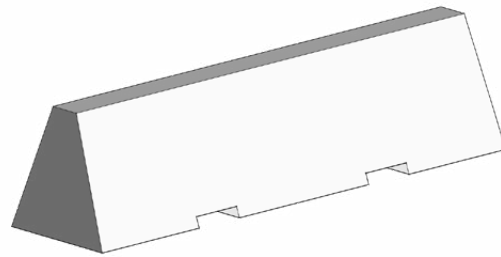
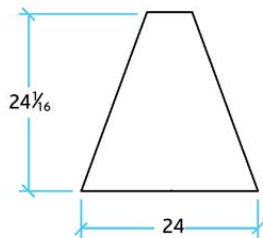
**Jersey Barrier SMALL |**  
WSBS Base 16 x 24" Height 32"



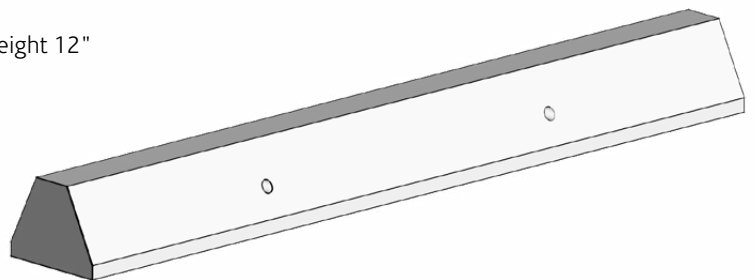
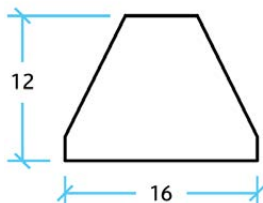
**Jersey Barrier LARGE |**  
WSBL Base 30 x 30" Height 30"



**8' Barrier |**  
WSB8 Base 24 x 100" Height 24 1/16"



**10' Barrier |**  
WSBS10 Base 16 x 120" Height 12"



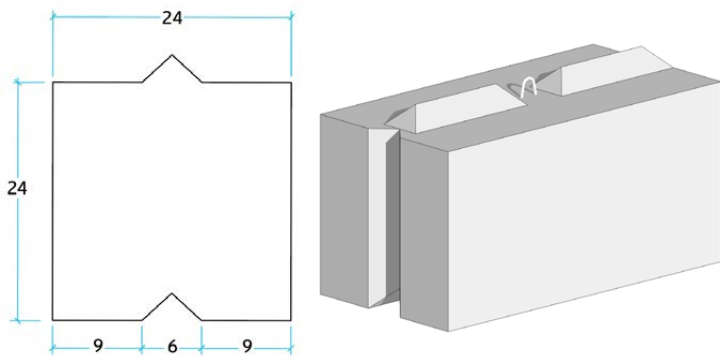


# METER BLOCKS

Inexpensive and durable.  
Easy to install, fireproof and low maintenance.

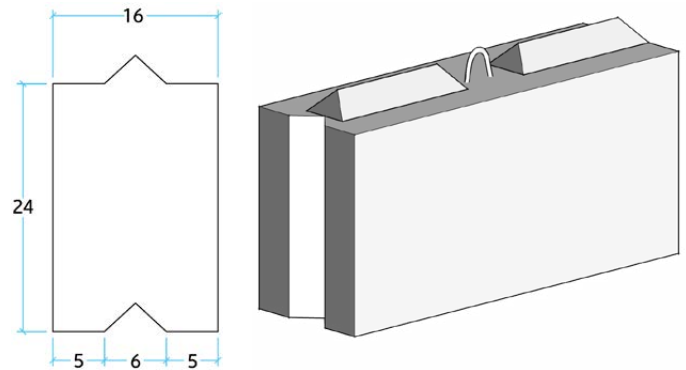
## Large Meter Block

WSMB | Base 24 x 48" Height 24" Weight 2300 lbs



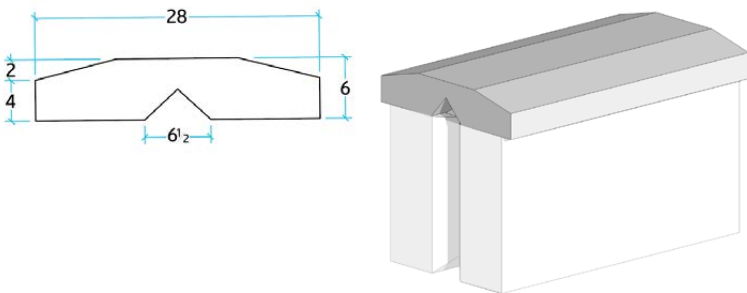
## Small Meter Block

WSMB16 | Base 16 x 48" Height 24" Weight 1600 lbs



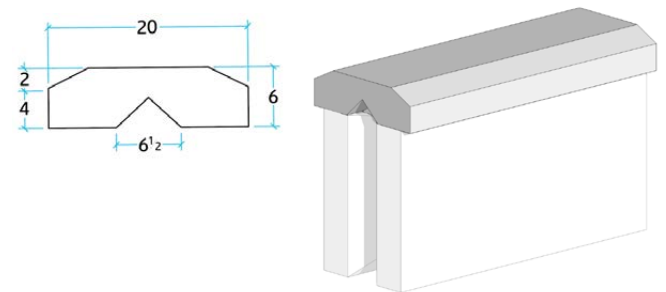
## Large Meter Block Coping

WSMBCO | Base 28 x 48" Height 6" Weight 700 lbs



## Small Meter Block Coping

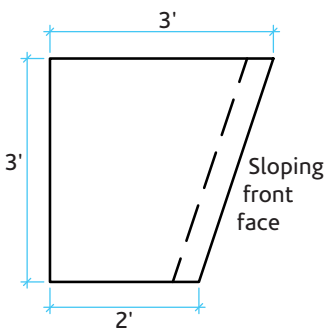
WSMB16CO | Base 20 x 48" Height 6" Weight 500 lbs



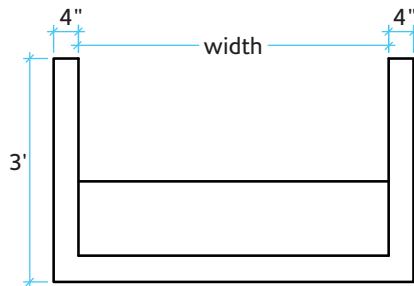


# WINDOW WELLS

Strength, durability, and aesthetic longevity. Will not buckle or shift like aluminum or fiberglass. Easy to install.

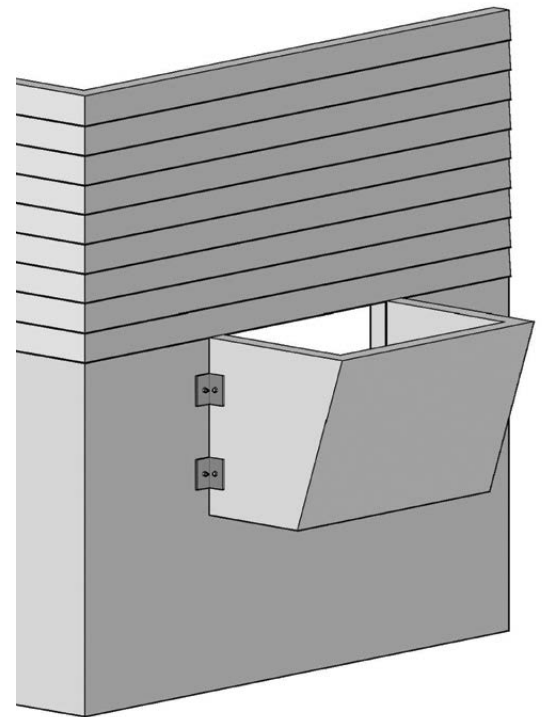


Two lifting inserts cast in top edge for installation.



Available in four widths  
 3'-10" | 4'-10" | 5'-10" | 7'-10"

Standard height is 36". Custom heights are available up to a maximum of 54".



Window wells available in standard colour and finish. Custom colours are available by special order. Please call for an estimate.





STRATFORD | Head Office  
1266 Erie Street, Stratford  
ON Canada N4Z 0A1  
T 519-271-6590

NORWICH  
773098 Oxford Road 59  
Norwich ON Canada N0J 1P1  
T 519-468-6979

TOLL FREE 1-877-265-6590  
[edsconcrete.com](http://edsconcrete.com)  
f x @ p in